

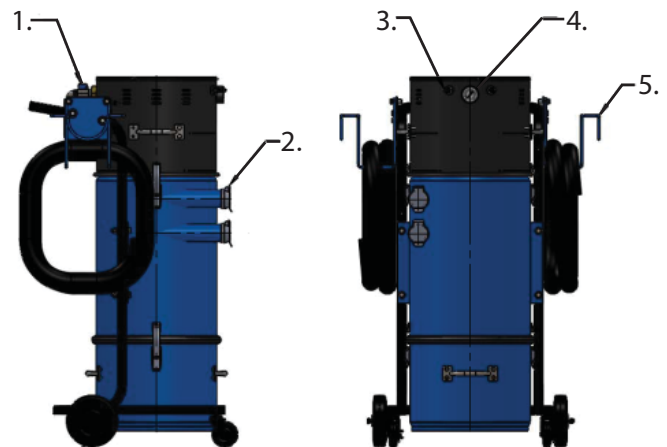
## EUROVAC II - PNEUMATIC PORTABLE

*Keep your facility safe & clean with a Eurovac portable vacuum system*



- Powerful venturi vacuum capable of handling two technicians sanding at the same time.
- Manual flow valve on the air intake to ensure you get just the proper amount of airflow and suction for your application.
- Quiet operation... venturi housing is insulated and baffled for sound.
- Superior filtration ... true cyclonic filtration removes virtually all the dust prior to the secondary cartridge filter. This results in the unit operating much more efficiently than units which do not have true cyclonic filtration.
- HEPA filtration is available by adding a chamber between the pump and regular filters. The HEPA filter removes the remaining 99.97% of sanding dust to a minimum of .3 micron particle.
- Includes two 25' x 1 1/4" to 1" light weight anti static vacuum hoses with 1/4" air lines attached whereby the vacuum hoses and airlines become one unit.

Eurovac offers a complete line of vacuum assist hand tools, abrasives & cleaning tools



\*Optional abrasives and tool storage trays available

1. Ball valve and high flow 1/2" fitting
2. 1.5" inlet valve (2)
3. 1.25" compressed air connection for air tool (2)
4. Compressed air gauge
5. Sanding tool holder/hose hanger (2)