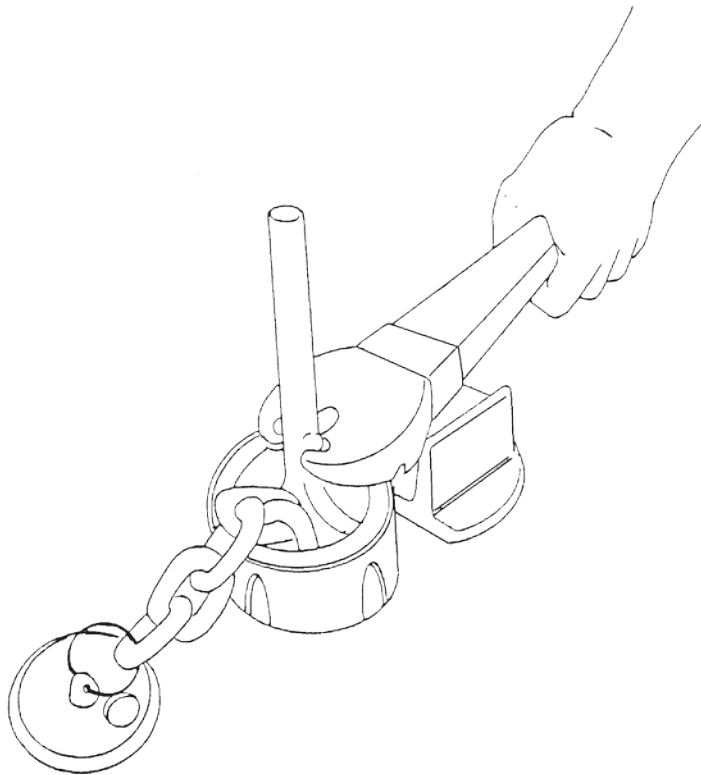


POT PRESS KIT

OPERATING INSTRUCTIONS

PART #17350

	Page
Introduction	1
Installing Pots.....	2
Removing Old Anchor Pots.....	5
Notes.....	6

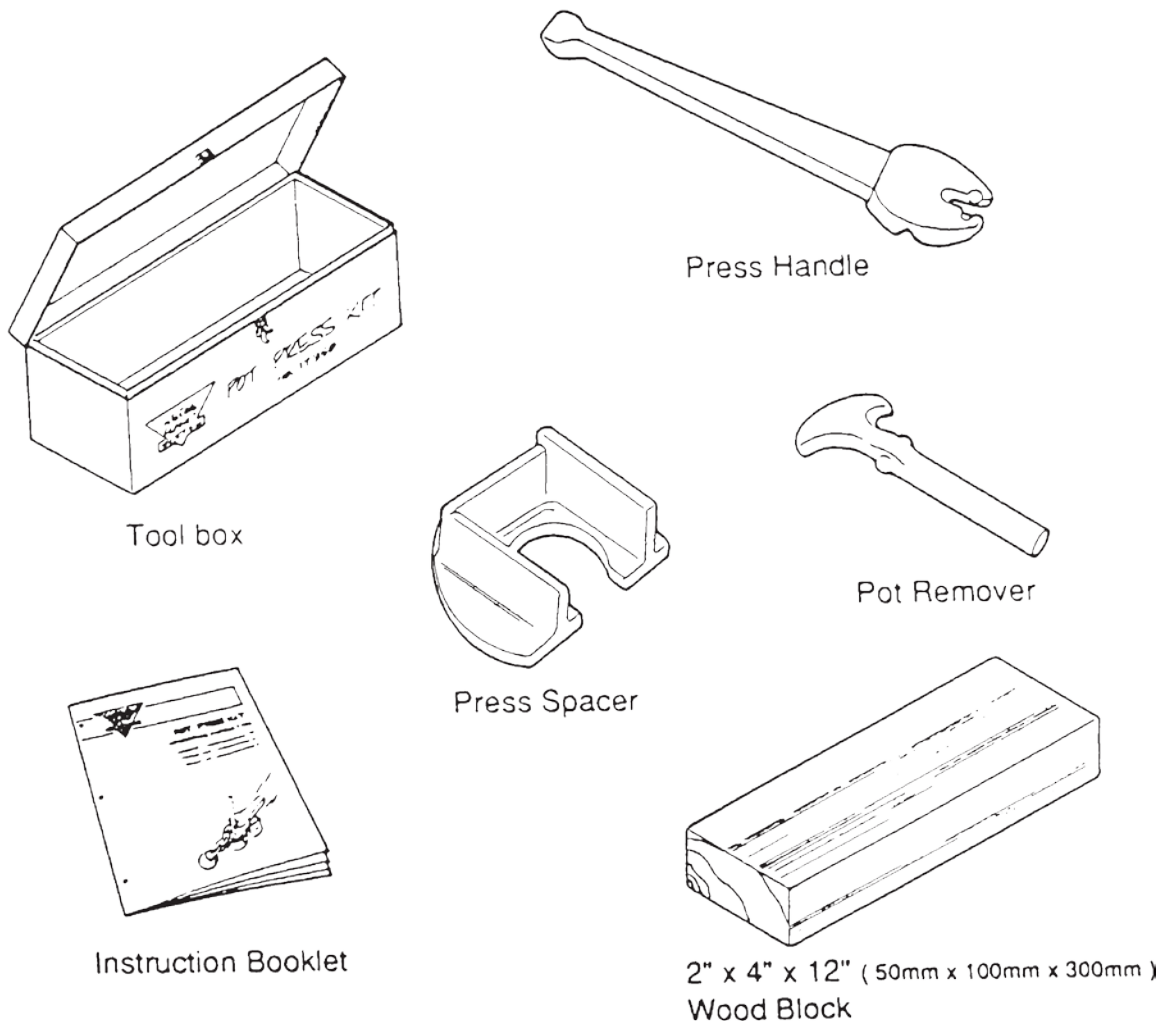


INTRODUCTION

The Pot Press was designed for two functions; the installation of standard anchor pots that are pressed in, and the removal of old pots that have been pressed in. It was specifically designed to fit Wedge Clamp's 3-1/2" (89 mm) diameter pots, but can fit other pots with the same features.

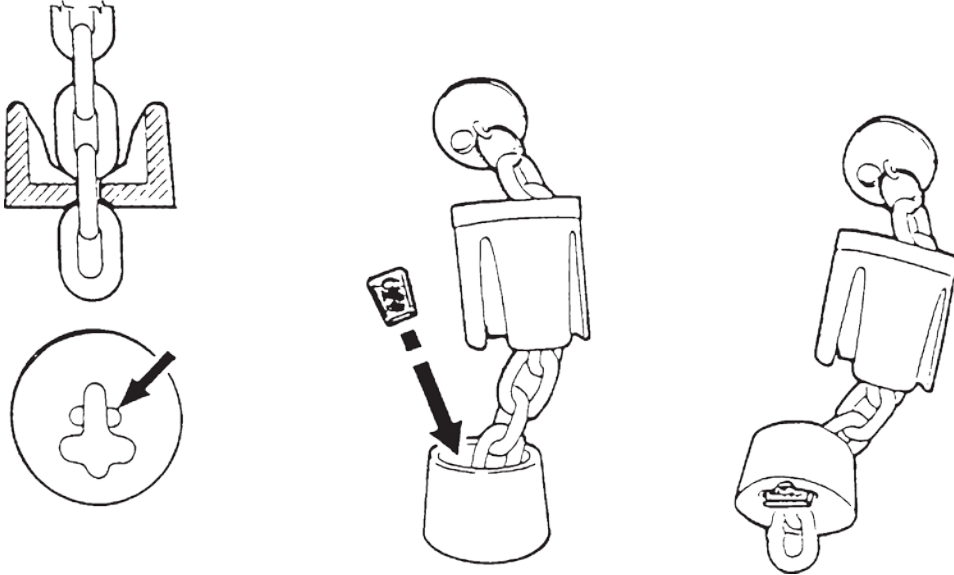
This manual press can replace the need for the traditional hydraulic pot press. It is a time saving tool that is faster and lighter to work with. For drilling pot holes and anchor pot layouts see Wedge Clamp's "Anchor Pot Installation Instructions"

POT PRESS KIT COMPONENTS:

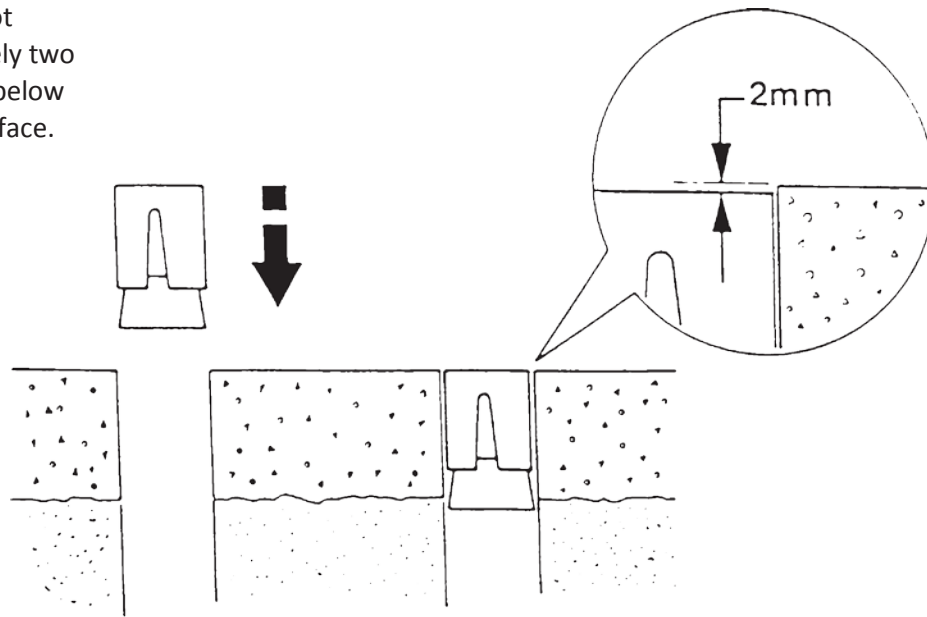


SET UP PROCEDURE

- 1 Check that the pot chain and chain wedge are in the proper position.



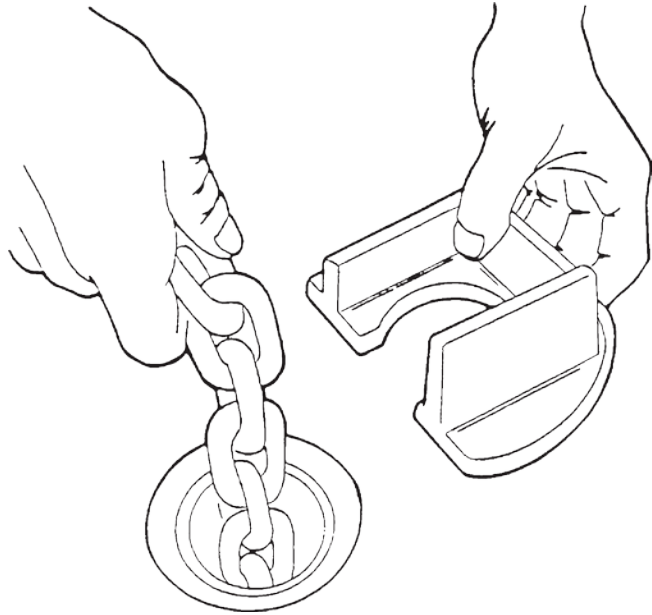
- 2 Insert the pot approximately two millimeters below the floor surface.



INSTALLING POTS

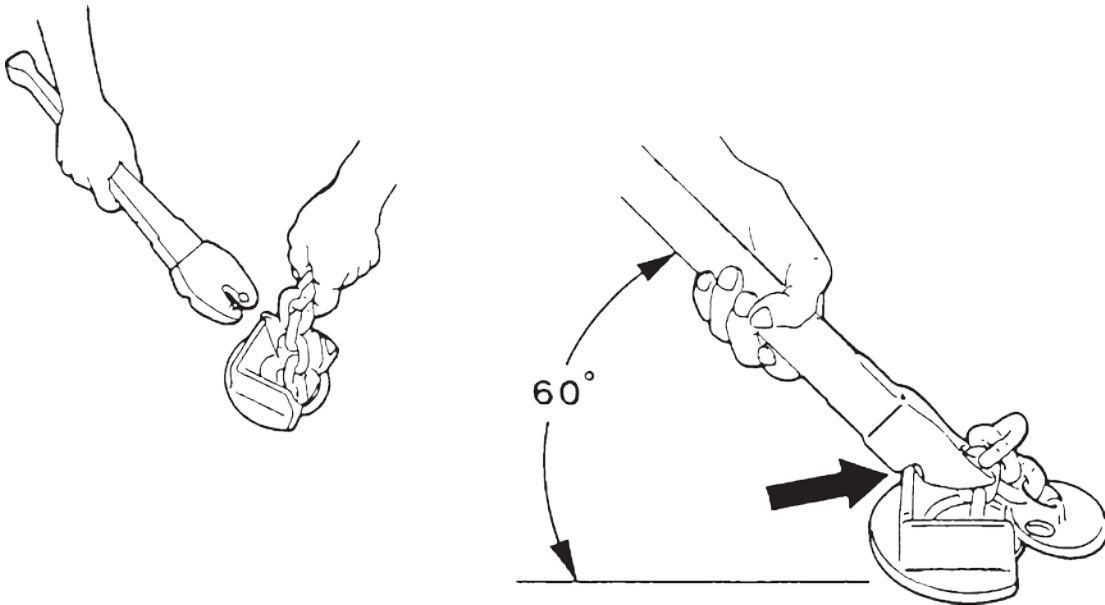
3

Holding the chain as shown, place the Press Spacer in position directly over the pot. Be sure that the chain is not twisted.



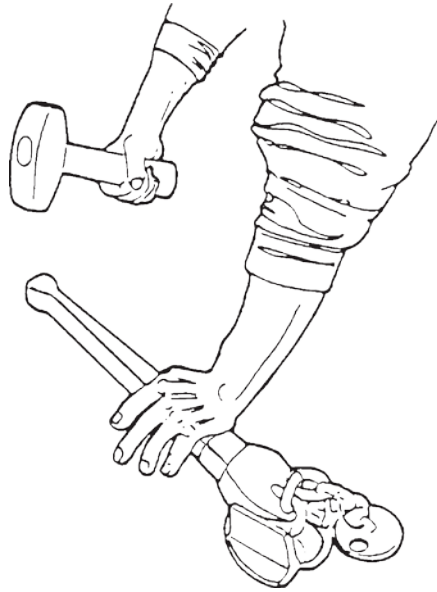
4

Holding the chain straight, select a link and a height position on the Press Spacer that results in the Press Handle being up from the floor at approximately 60°.



INSTALLING POTS

- 5 Using a 4 lbs. (2 kg.) hammer, tap the end of the Press Handle as shown to set the pot plug. A few sharp, firm blows with the hammer can “press” the pot in at approximately 5 tons.

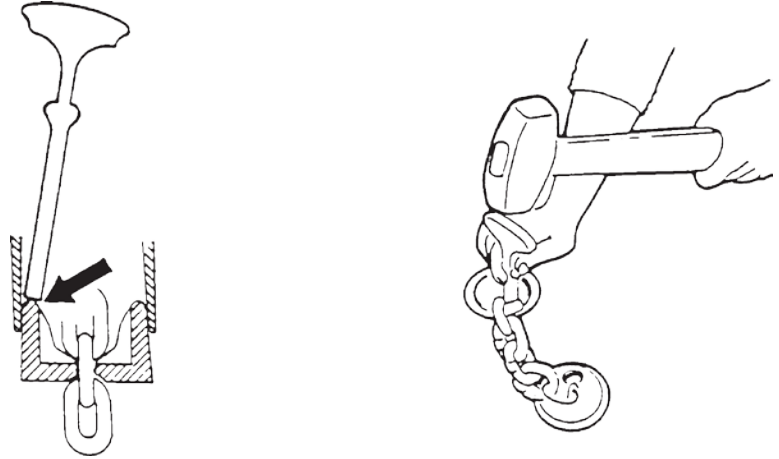


Removing old pots (See over)

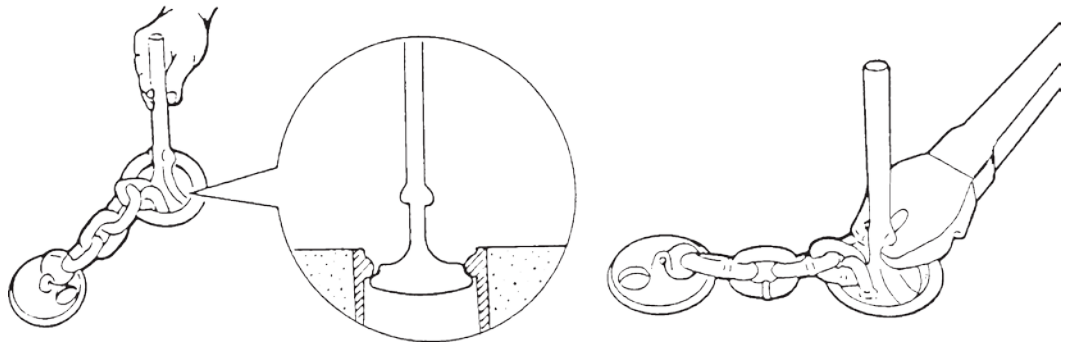


REMOVING OLD ANCHOR POTS

- 1** Using the Pot Remover, knock out the plug at the bottom of the pot as shown.

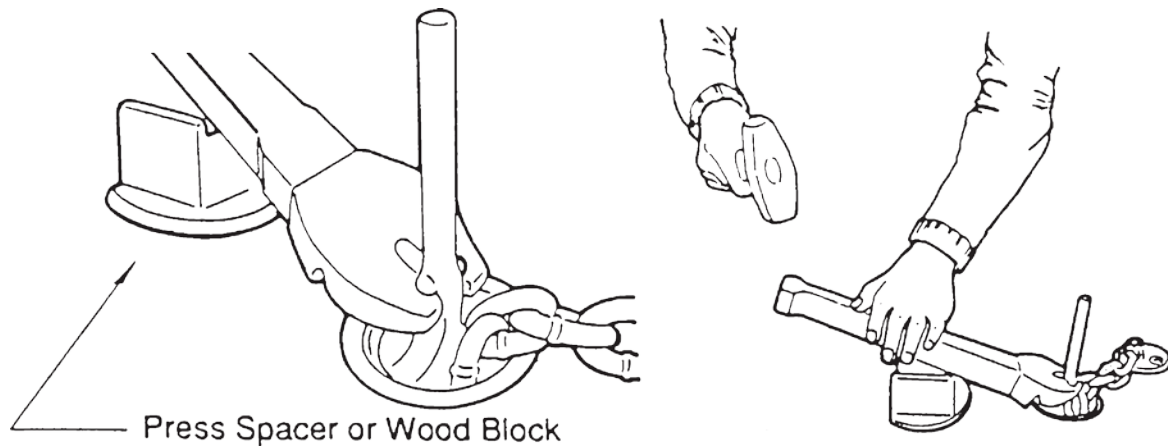


- 2** Insert the Pot Remover into the pot as shown and insert the Press Handle the same as you would on a chain Link. See Below.



- 3** Place the Press Spacer beside the pot.

Using a 4 bls. (2 kg.) hammer tap the end of the Press Handle as shown to release the pot.



Wedge Clamp Systems Inc.

170 – 21320 Gordon Way , Richmond, BC V6W 1J8

Toll Free : 1-800-615-9949 Tel: 604-207-9595 Fax: 604-207-9593

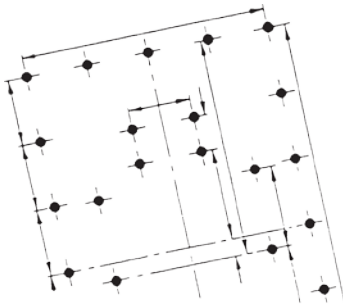


WARNING: Pipes, heating elements, or high voltage electrical wires may be contained in or under the concrete floor surface. Damage to such in-floor installations can result from drilling or cutting into the floor. Serious injury or death can result from the drill bit or floor pot coming in contact with electrical wires that may be in or under the floor.

The floor pot layout diagrams contained in this document are suggested only as alternatives. Wedge Clamp International Inc. assumes no responsibility for the installation, location and final positioning of floor anchoring pots in the purchaser's premises.

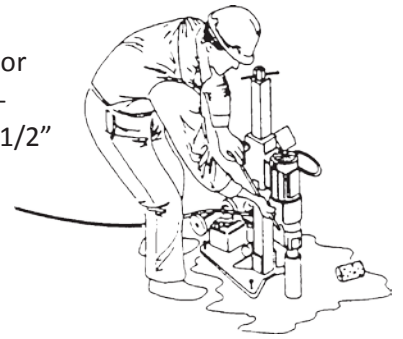
1 MEASURE

Draw out on the shop floor where the pots are to be located.



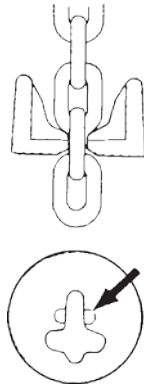
2 DRILL HOLES

The Wedge Clamp floor anchoring pots are installed by drilling a 3-1/2" (90 mm) hole in the floor at least 6" deep with a diamond coring bit.



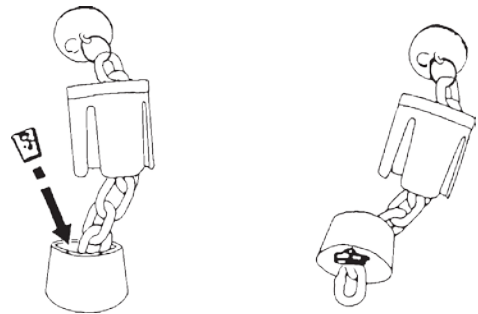
3 INSERT CHAIN

Insert the chain from the top through the slot in the plug so the final chain link sits in the pocket (see arrow).



4 INSERT WEDGE

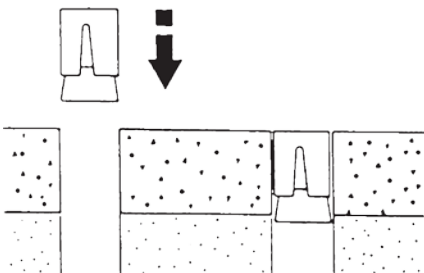
After installing the chain into the slot, insert the wedge from the top through the oval slot to lock the chain as shown.



5 INSERT POT



WARNING: The concrete floor should be in good condition without any sign of cracking, and a minimum of 6" (127 mm) thick.



6 TENSION POT

Install the pot in the hole and lock the pot into place using a floor pot tensioning device.

